

MADE IN UKRAINE

ROBUD[®]
FORMWORK SYSTEMS

ROBUD STAYMAX

FORMWORK FOR EFFICIENT CONSTRUCTION



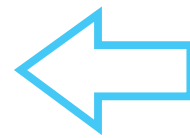
ROBUD STAYMAX is compatible with common formwork systems, such as PERI Trio, and is complemented by additional options for more efficient operation.

Overall dimensions of the panels:

- ❖ Panel thickness: 12 cm
- ❖ Height: 330, 300, 270, 120 cm
- ❖ Width: from 20 to 240 cm



ADDITIONAL OPTIONS OF ROBUD STAYMAX:



120x60 mm

- ❖ Special profiles for manufacturing frame elements from high-strength steel — ensuring reliability and long-term formwork performance.

- ❖ Hot-dip galvanizing of panel frames virtually doubles the service life of the formwork.



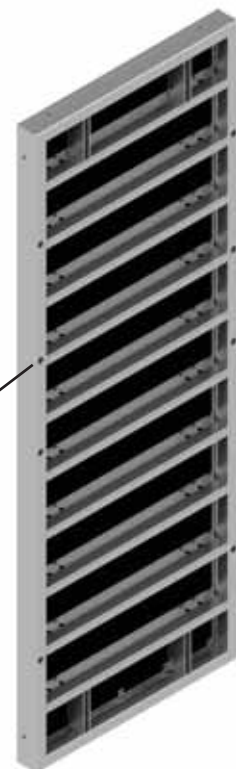
ADDITIONAL OPTIONS OF ROBUD STAYMAX:

Formwork panels to choose from:

❖ with polymer coating

or

❖ galvanized



❖ Steel welded conical bushings for reliable protection of plywood hole edges.

This design of steel bushings makes it possible to flip the plywood in the panel in case of wear or damage to the front side. The service life of the plywood increases by approximately one and a half times.



ADDITIONAL OPTIONS OF ROBUD STAYMAX:



- ❖ **“T”- element for linear and end connection with universal elements.**



- ❖ **Standard chamfered corner for easy installation.**



- ❖ **Reinforced forged panel corners for easy assembly and reliable protection of the formwork from damage.**



ADDITIONAL OPTIONS OF ROBUD STAYMAX:



- ❖ Compact and economical console for formwork extensions up to 60 cm.



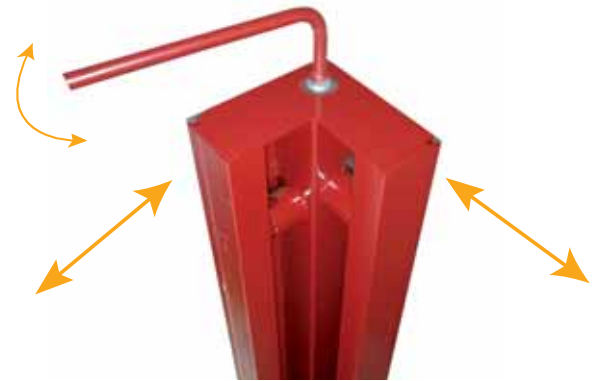
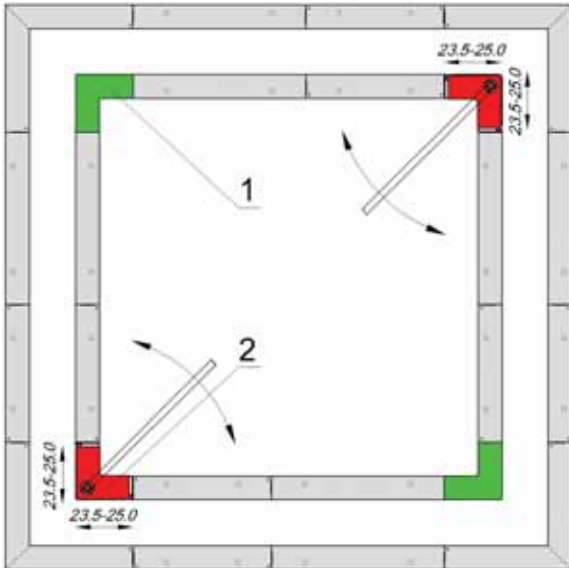
- ❖ The corners for stripping the shaft formwork have closed mechanisms to prevent concrete from getting in.



- ❖ Durable forged formwork fastenings ensure high work productivity.



❖ ELEVATOR AND STAIRWAY SHAFTS



1. Inner corner
2. Inner stripping corner

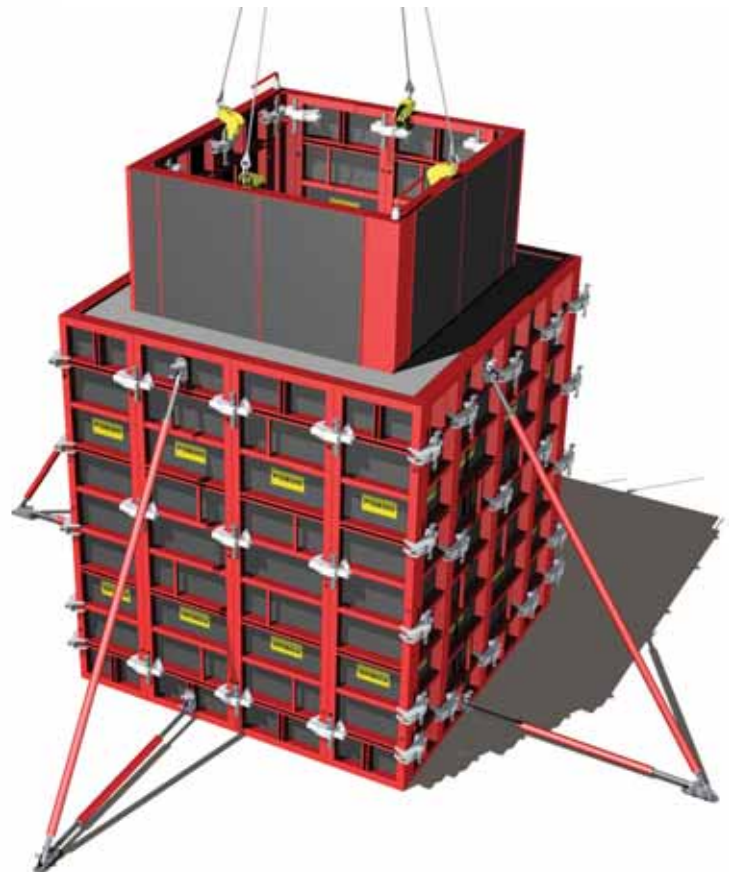
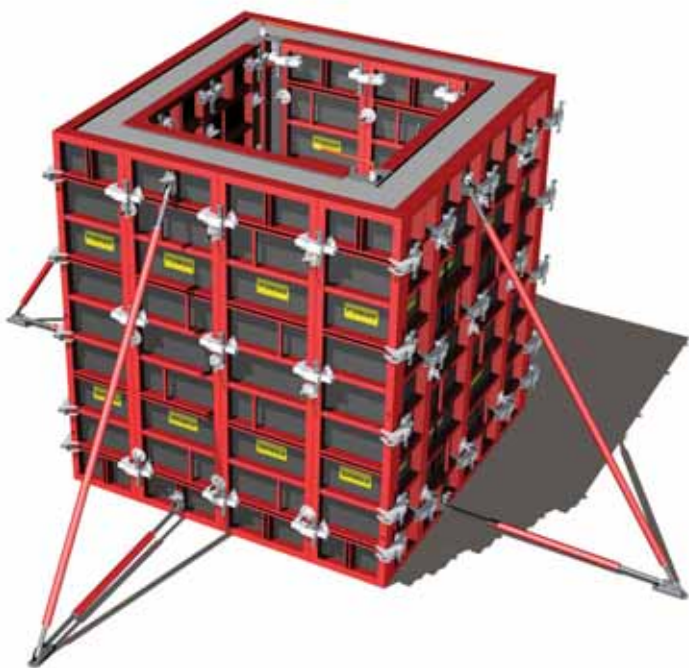
For quick dismantling of the inner part of the elevator shaft formwork, STMAX stripping corners are used.

By turning the key 180°, each side of the corner retracts by 1.5 cm, separating the formwork from the concrete along the entire perimeter. After that, the inner block of the shaft is lifted out by a crane in one piece, without disassembly.



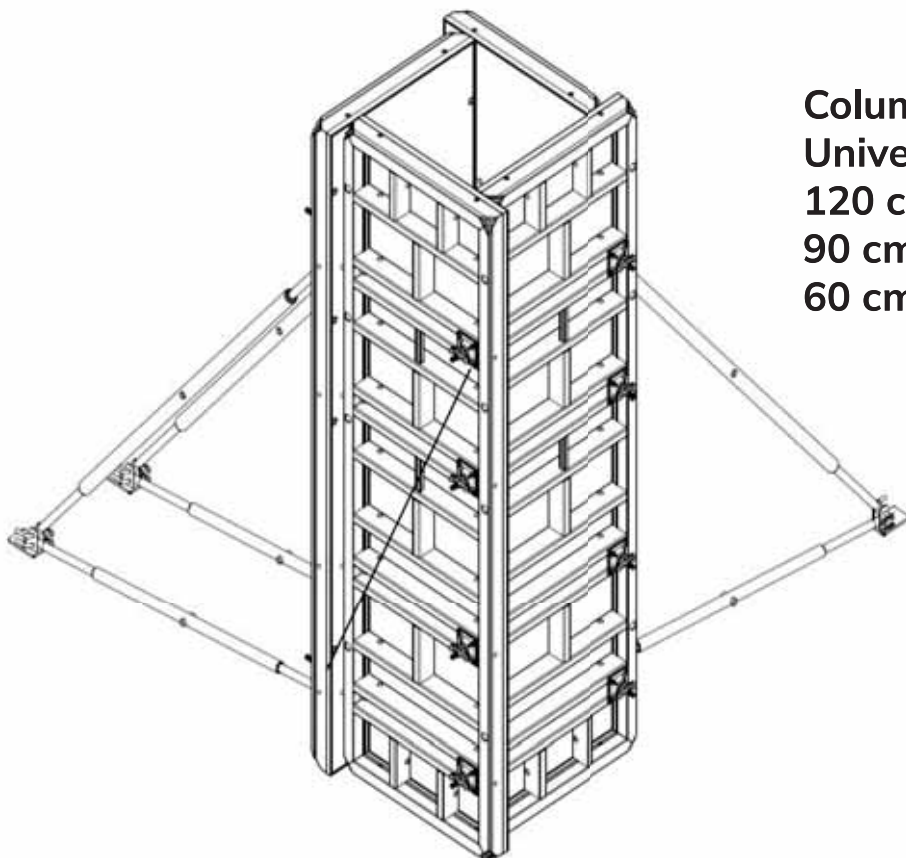
DESCRIPTION OF SHAFT FORMWORK:

The inner part of the formwork for elevator shafts or stairwells is dismantled entirely after concreting.



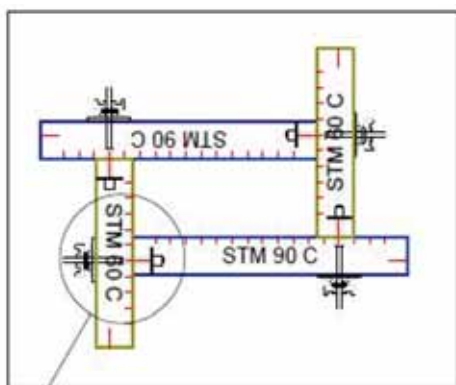
TECHNICAL CHARACTERISTICS

VARIABLE-SECTION COLUMNS STAYMAX, 90 kN



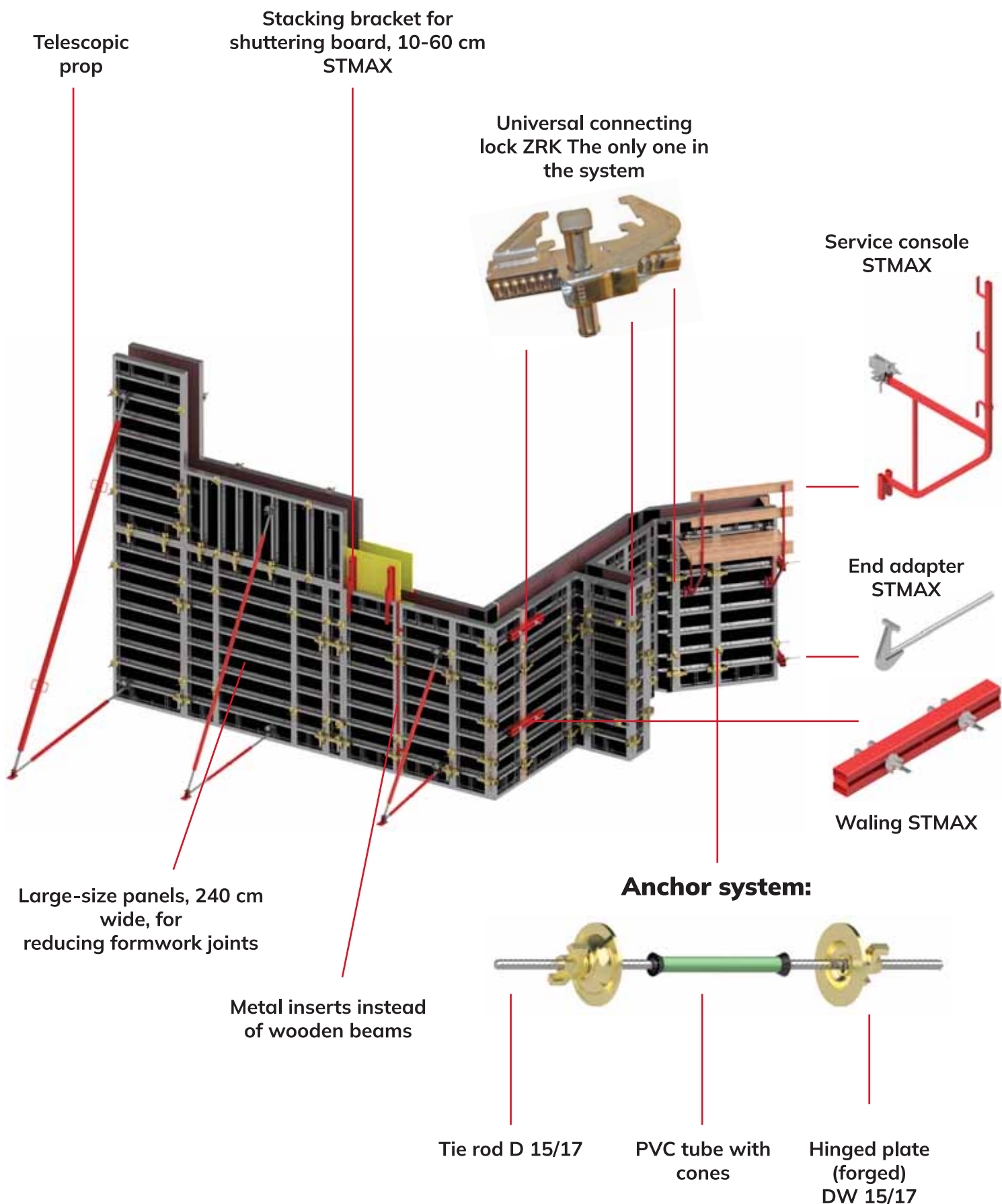
Column cross-sections with Universal "C" elements, width:
120 cm – from 20 cm to 105 cm
90 cm – from 20 cm to 75 cm
60 cm – from 20 cm to 45 cm

Column made of universal "C" elements.

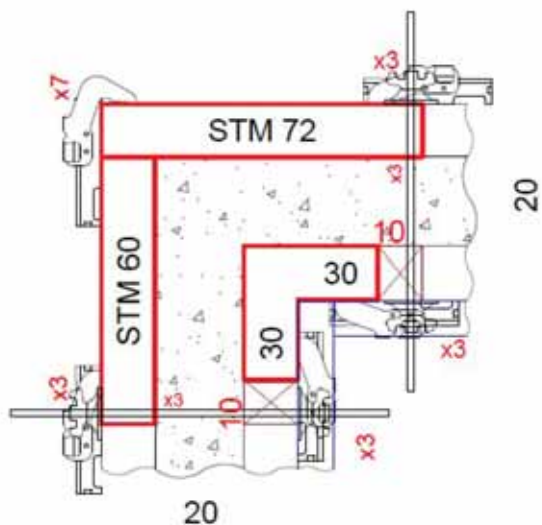


STMAX coupler

FORMWORK INSTALLATION SCHEMES

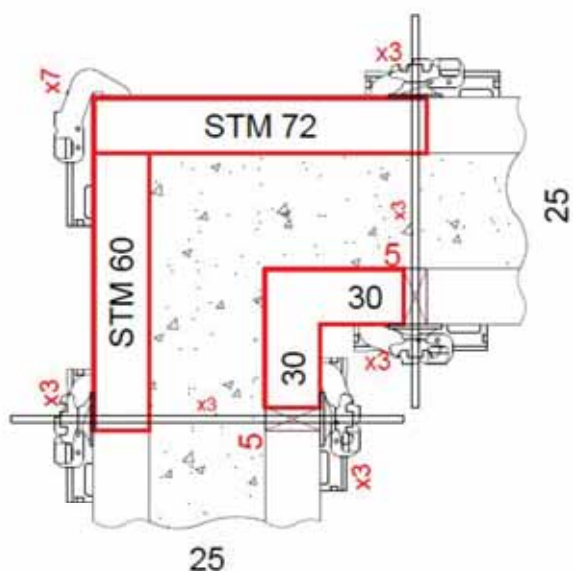


FORMWORK INSTALLATION SCHEMES



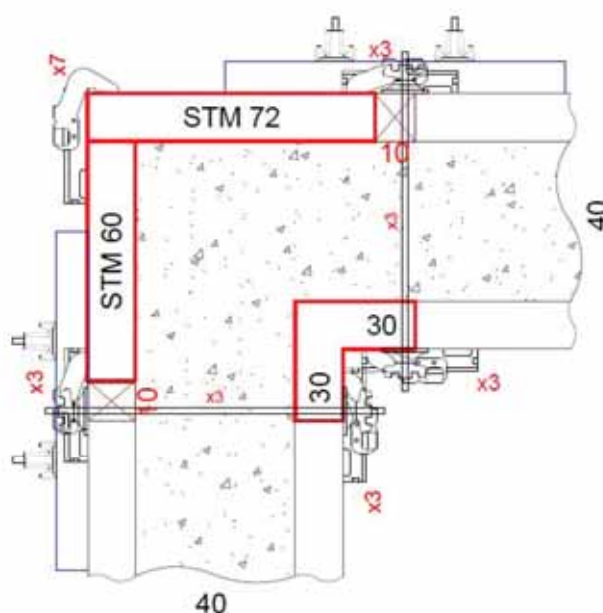
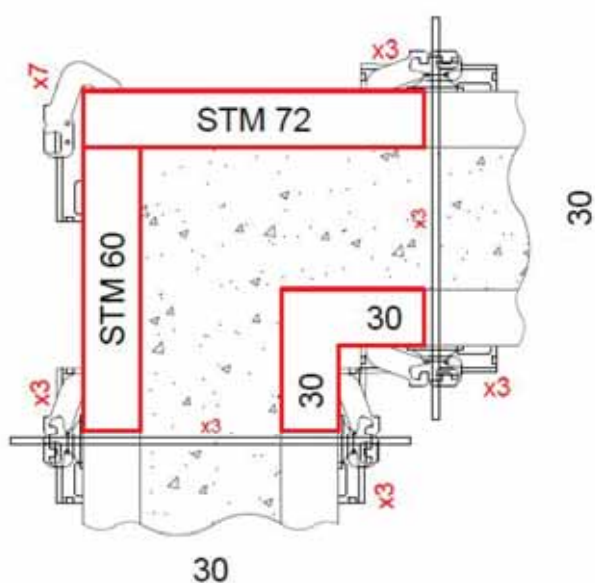
The diagrams show the installation of the external corner using STMAX elements of 72 cm and 60 cm, Inserts of 5 cm and 10 cm, and ZRK clamps.

The red numbers **5** and **10** indicate the 5 cm and 10 cm inserts.



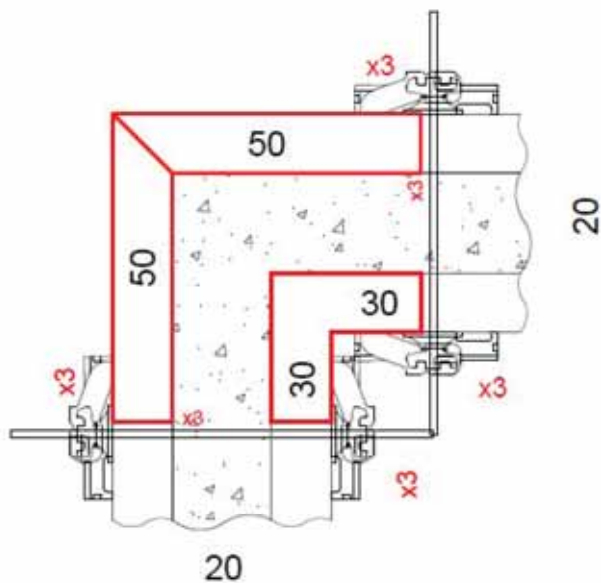
The red markings **x7** and **x3** show the number of ZRK clamps and the number of anchor ties that must be installed at the joint for a formwork height of **3300 mm**.

For other heights, please refer to the ROBUD STAYMAX formwork operating manual for the required number of fastenings.



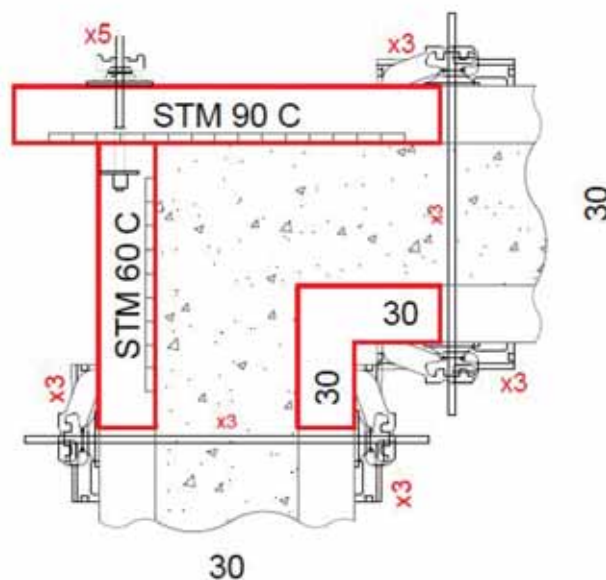
FORMWORK INSTALLATION SCHEMES

Installation of the external corner using the element: STMAX External Corner 330×50×50

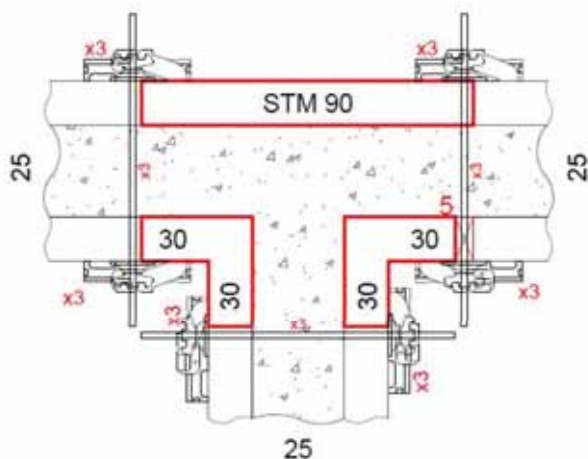


Wall section with a thickness of 25 cm

Installation of the external corner using Universal elements, H=3300 mm, STMAX connectors, and a hinged plate.



Wall section with a thickness of 30 cm

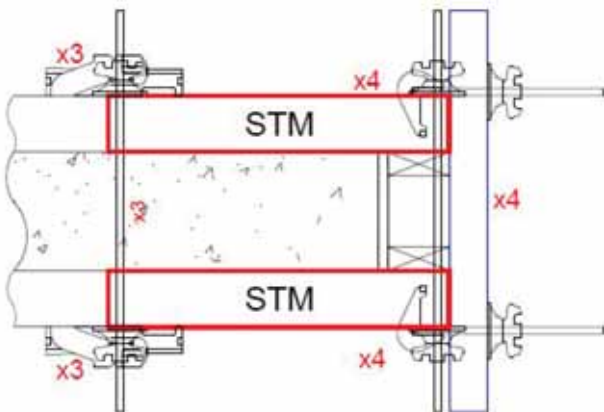


The red numbers **5** and **10** indicate the 5 cm and 10 cm inserts.

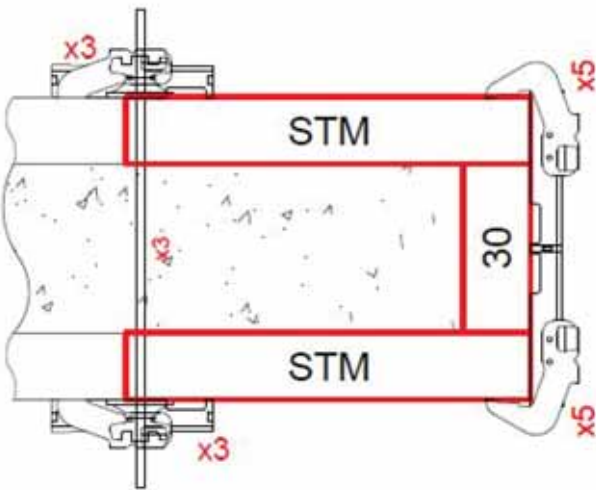
The red markings **x5** and **x3** show the number of Connectors, ZRK clamps, and anchor ties that must be installed at the joint for a formwork height of 3300 mm.

For other heights, please refer to the ROBUD STAYMAX formwork operating manual for the required number of fastenings.

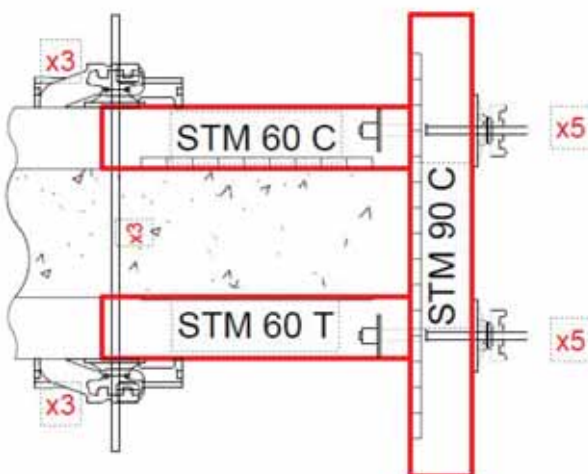
FORMWORK INSTALLATION SCHEMES



Assembly of the formwork end using an End Adapter, Rails, Hinged Plate, Beam, and Plywood.

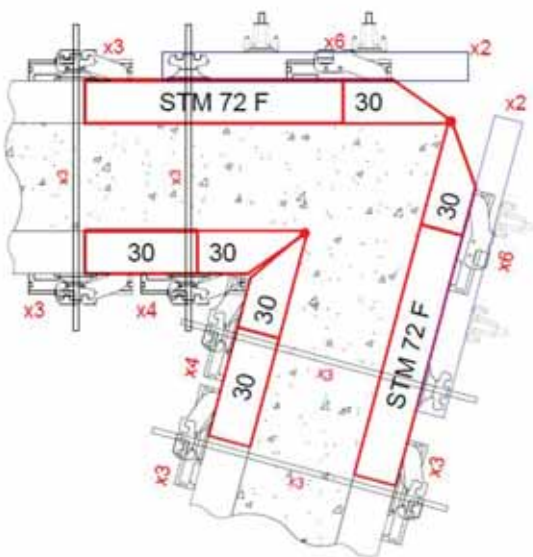


Assembly of the formwork end using narrow elements with widths of 20, 25, 30, and 40 cm and ZRK clamps.



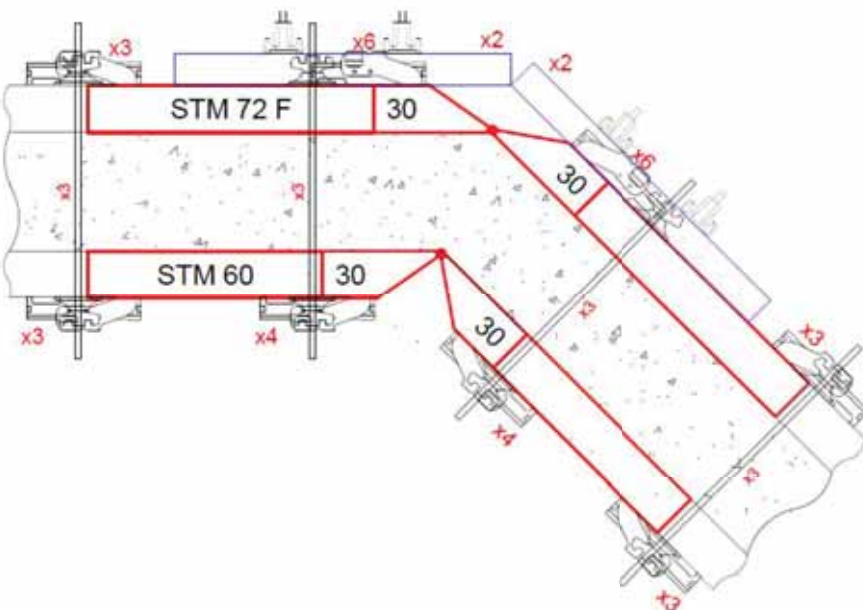
Assembly of the formwork end using a single "C" Universal element, or using two "T" or "C" elements with STMAX connectors.

FORMWORK INSTALLATION SCHEMES



Assembly of an acute and obtuse corner using two 30x30 hinged corners, two 72 "F" Universal elements, narrow 30 elements, and leveling rails.

The red markings **x2**, **x3**, **x4**, and **x6** indicate the number of leveling rails, ZRK clamps, and anchor ties that must be installed at the joint for a formwork height of **3300 mm**.



SPECIFICATIONS – STMAX ELEMENTS



Art N°	Panel	Polymer paint	Zn, Hot-dip galvanized
		Weight, kg	Weight, kg
302010	STMAX L 330x240	420	449
302018	STMAX L 330x180	353	378
302020	STMAX L 330x120	186	198
302021	STMAX L 330x120 T	187	199
304400	STMAX L 330x120 C	231	247
302025	STMAX 330x100	164	175
302026	STMAX 330x100 T	165	176
302030	STMAX 330x90	151	162
302031	STMAX 330x90 T	151	162
304420	STMAX 330x90 C	186	199
302035	STMAX 330x90 F	179	192
302038	STMAX 330x80	140	150
302039	STMAX 330x80 T	140	150
302040	STMAX 330x72	128	137
302045	STMAX 330x72 F	149	160
302050	STMAX 330x60	116	124
302051	STMAX 330x60 T	117	125
304430	STMAX 330x60 C	133	142
302055	STMAX 330x55	111	118
302056	STMAX 330x55 T	112	119
302060	STMAX 330x50	105	112
302061	STMAX 330x50 T	106	113
302065	STMAX 330x45	94	101
302070	STMAX 330x40	89	95
302075	STMAX 330x35	83	89
302080	STMAX 330x30	76	82
302085	STMAX 330x25	70	75
302090	STMAX 330x24	69	74
302095	STMAX 330x20	64	69

Art N°	Panel	Polymer paint	Zn, Hot-dip galvanized
		Weight, kg	Weight, kg
302310	STMAX L 300x240	384	411
302318	STMAX L 300x180	323	346
302320	STMAX L 300x120	170	181
302321	STMAX L 300x120 T	171	182
304300	STMAX L 300x120 C	203	217
302325	STMAX 300x100	151	161
302326	STMAX 300x100 T	152	162
302330	STMAX 300x90	139	148
302331	STMAX 300x90 T	139	148
304320	STMAX 300x90 C	164	175
302335	STMAX 300x90 F	161	172
302338	STMAX 300x80	129	138
302339	STMAX 300x80 T	129	138
302340	STMAX 300x72	117	125
302345	STMAX 300x72 F	133	143
302350	STMAX 300x60	105	112
302351	STMAX 300x60 T	106	113
304330	STMAX 300x60 C	120	129
302355	STMAX 300x55	100	107
302356	STMAX 300x55 T	101	108
302360	STMAX 300x50	97	104
302361	STMAX 300x50 T	98	105
302365	STMAX 300x45	86	92
302370	STMAX 300x40	81	87
302375	STMAX 300x35	76	81
302380	STMAX 300x30	69	75
302385	STMAX 300x25	64	69
302390	STMAX 300x24	63	68
302395	STMAX 300x20	59	63

SPECIFICATIONS – STMAX ELEMENTS

Art Nº	Panel	Polymer paint	Zn, Hot-dip galvanized
		Weight, kg	Weight, kg
302610	STMAX 120x240	169	181
302618	STMAX 120x180	141	152
302620	STMAX 120x120	77	82
302621	STMAX 120x120 T	78	83
304630	STMAX 120x120 C	95	102
302625	STMAX 120x100	68	72
302626	STMAX 120x100 T	69	73
302630	STMAX 120x90	63	67
302631	STMAX 120x90 T	63	67
304640	STMAX 120x90 C	77	83
302635	STMAX 120x90 F	75	80
302638	STMAX 120x80	58	62
302639	STMAX 120x80 T	58	62
302640	STMAX 120x72	52	56
302645	STMAX 120x72 F	61	65
302650	STMAX 120x60	47	50
302651	STMAX 120x60 T	48	51
304650	STMAX 120x60 C	56	61
302655	STMAX 120x55	45	48
302656	STMAX 120x55 T	46	49
302660	STMAX 120x50	42	45
302661	STMAX 120x50 T	43	46
302665	STMAX 120x45	38	41
302670	STMAX 120x40	35	38
302675	STMAX 120x35	32	35
302680	STMAX 120x30	30	32
302685	STMAX 120x25	27	29
302690	STMAX 120x24	27	29
302695	STMAX 120x20	25	27

Art Nº	Panel	Polymer paint	Zn, Hot-dip galvanized
		Weight, kg	Weight, kg
302410	STMAX L 270x240	349	373
302418	STMAX L 270x180	293	314
302420	STMAX L 270x120	155	165
304600	STMAX L 270x120 C	183	195
302425	STMAX 270x100	136	145
302430	STMAX 270x90	127	135
302431	STMAX 270x90 T	127	135
304610	STMAX 270x90 C	151	162
302435	STMAX 270x90 F	147	157
302438	STMAX 270x80	117	125
302439	STMAX 270x80 T	117	125
302440	STMAX 270x72	107	114
302445	STMAX 270x72 F	121	130
302450	STMAX 270x60	96	102
304620	STMAX 270x60 C	111	119
302455	STMAX 270x55	91	97
302460	STMAX 270x50	86	92
302465	STMAX 270x45	79	85
302470	STMAX 270x40	74	79
302475	STMAX 270x35	69	74
302480	STMAX 270x30	63	68
302485	STMAX 270x25	57	61
302490	STMAX 270x24	56	60
302495	STMAX 270x20	52	56

“C” – universal panel for columns and right angles

“F” – functional panel for non-right angles

“T” – standard panel with side openings for end connections with universal panels

SPECIFICATIONS – STAYMAX CORNERS

STMAX Inner Stripping Corner



STMAX Inner Corner



STMAX Hinged Corner



SPECIFICATIONS – STAYMAX CORNERS

Art N°	Name	Polymer paint	Zn, Hot-dip galvanized
		Weight, kg	Weight, kg
External corner STMAX			
302150	External corner STMAX 330x50x50	182	194
302350	External corner STMAX 300x50x50	166	177
302350	External corner STMAX 270x50x50	149	159
302750	External corner STMAX 120x50x50	68	73
Internal corner STMAX			
302110	Internal corner STMAX 330x30x30	104	111
302111	Internal corner STMAX 330x30x50 L	155	166
302112	Internal corner STMAX 330x30x50 R	155	166
302310	Internal corner STMAX 300x30x30	96	102
302311	Internal corner STMAX 300x30x50 L	142	152
302312	Internal corner STMAX 300x30x50 R	142	152
302510	Internal corner STMAX 270x30x30	86	92
302511	Internal corner STMAX 270x30x50	130	139
302710	Internal corner STMAX 120x30x30	43	46
302711	Internal corner STMAX 120x30x50 L	69	74
302712	Internal corner STMAX 120x30x50 R	69	74
Hinged corner STMAX			
302130	Hinged corner STMAX 330x30x30	139	150
302330	Hinged corner STMAX 300x30x30	127	136
302530	Hinged corner STMAX 270x30x30	114	122
302730	Hinged corner STMAX 120x30x30	51	55
Inner stripping corner STMAX			
102120	Inner stripping corner STMAX 330x30x30	152	
102320	Inner stripping corner STMAX 300x30x30	139	
102580	Inner stripping corner STMAX 150x30x30	70	

SPECIFICATIONS – STMAX ACCESSORIES

Waling STMAX



Multipurpose prop-head
STMAX



Steel insert STMAX



Service console STMAX
Permissible load: 150 kg/m²,
Maximum distance - 1.35 m



Stacking bracket
for shuttering board
STMAX 10-60cm



SPECIFICATIONS – STMAX ACCESSORIES

Art N°	Name	Weight, kg
Accessories STAYMAX		
102155	Steel insert STMAX 330x5	24
102355	Steel insert STMAX 300x5	22
102356	Steel insert STMAX 330x10	33
102755	Steel insert STMAX 300x10	30
103200	End adapter STMAX	1,5
012070	Stacking bracket for shuttering board STMAX 10-60 cm	8
103030	Service console STMAX	12
012001	Multipurpose prop-head STMAX	2,8
103210	STMAX cupler	0,7
103110	Waling STMAX	9,4
103111	Fastening waling STMAX	0,7
012090	Crossmember 150 cm	20

End adapter STMAX



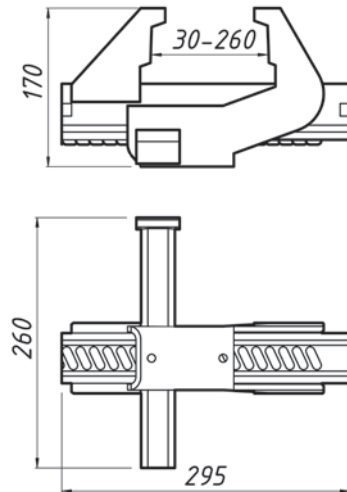
STMAX cupler



Spanner for stripping corner



Universal connecting lock
ZRK



Lifting hook
(1250 kg)



Tie rod DW 15/17



Hinged plate DW 15/17,
(forged)



SPECIFICATIONS – STMAX ACCESSORIES

Art N°	Name	Weigt, kg
012007	Push-pull prop P750	60
012008	Push-pull prop P1300	240
012009	Heel Push-pull prop P1300	7,2
012012	Push-pull prop heel	3,0
012006	Push-pull prop support	12
015036	Welded coupling	0,3
015020	Lifting hook (1250 kg)	9
015021	Lifting hook Cons (1250 kg)	6
015022	Strut beam P1300	14
012010	Universal connecting lock ZRK	4,4
014030	Hinged plate DW 15/17, DE	1,5
014005	Tier Rod D 15/17, L=75 cm	1,1
014010	Tier Rod D 15/17, L=100 cm	1,4
014011	Tier Rod D 15/17, L=120 cm	1,7
014015	Tier Rod D 15/17, L=150 cm	2,2
014020	Tier Rod D 15/17, L=300 cm	4,3

Telescopic prop:
2 - Push-pull prop P_
3 - Push-pull prop support



PVC



Transport handle



4 - Push-pull prop heel



CONSTRUCTION OBJECTS

Molodizhny Residential Complex, Zhytomyr, Ukraine



Construction of an industrial facility, wall thickness 1.0 m, height 12 m.



CONSTRUCTION OBJECTS

Aura Residence residential complex, Khmelnytskyi, Ukraine



CONSTRUCTION OBJECTS

France

France, construction of houses. Formwork STAYMAX.

Construction of houses in France is carried out by large-size panels of the STAYMAX system, to obtain front concrete with the smallest number of joints.



Germany, ROBUD Germany warehouses, ROBUD formwork inventory



Ukraine

Switzerland

Liechtenstein

Lebanon

Germany

Bulgaria

Kazakhstan

Burkina Faso

France

Hungary

Turkey

CONTACTS:

Euro Vertrieb GmbH & Co. KG

FORMSERVIS LLC

D-59320 Ennigerloh

Borispylska str., 19, Kyiv,
Ukraine, 02093

Westkirchener Str. 90 Germany

Tel.: +49 2524 / 929-55-95

Tel.: +38 067 447-35-18

Fax: +49 2524 / 929-55-93

E-Mail: robud@robud.info

E-Mail: robud@robud.de

www.robud.info

www.robud.de

